

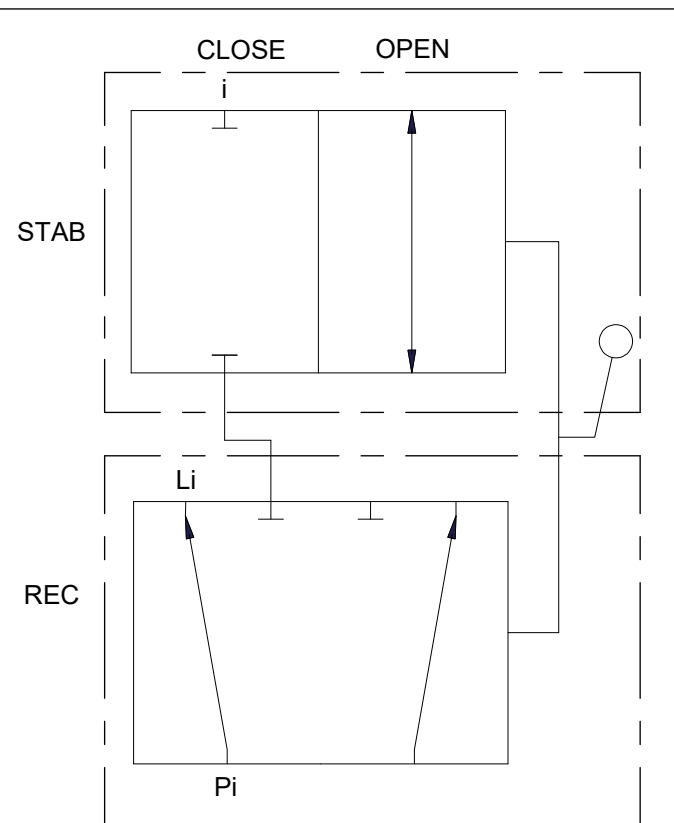
NOTE: 1
DESIGN CODE:
NS-EN 13445

NOTE: 2
TECHNICAL CLASSIFICATION:
Article Type: 003-Valve Stabs
Main Group: 3.04. Ø60-Valvestab
Intermediate Group: 3.34.02. Receptacle
Sub Group: 3.34.75.2. Dual

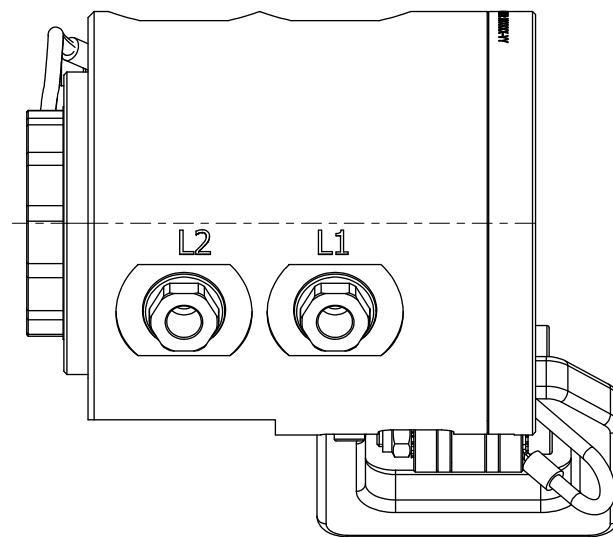
NOTE: 3
INTERFACE INFORMATION:
Pressure Rating Bar: 345
Design Water Depth: N/A
Material: Long-term
Weight: 14,6 kg
Volume: 1,9 dm³
Submerged Weight: 12,7 kg
Surface Area: 3801 cm²
Hydraulic: 3/4" BSP
Mechanical: N/A
Electrical: N/A
Com. & Protocol: N/A

NOTE: 4
ADDITIONAL INFORMATION:
Ø60 Dual Port ValveStab Receptacle rated for 5000 Psi/ 345 Bar working pressure. Equipped with 1/4" BSP (L1 and L2) pressure compensation port for each line to allow pressure compensation of tooling-lines when the VStab Receptacle is closed. Ideal for ROV tooling to avoid issues related to change of differential pressure during launch and recovery.

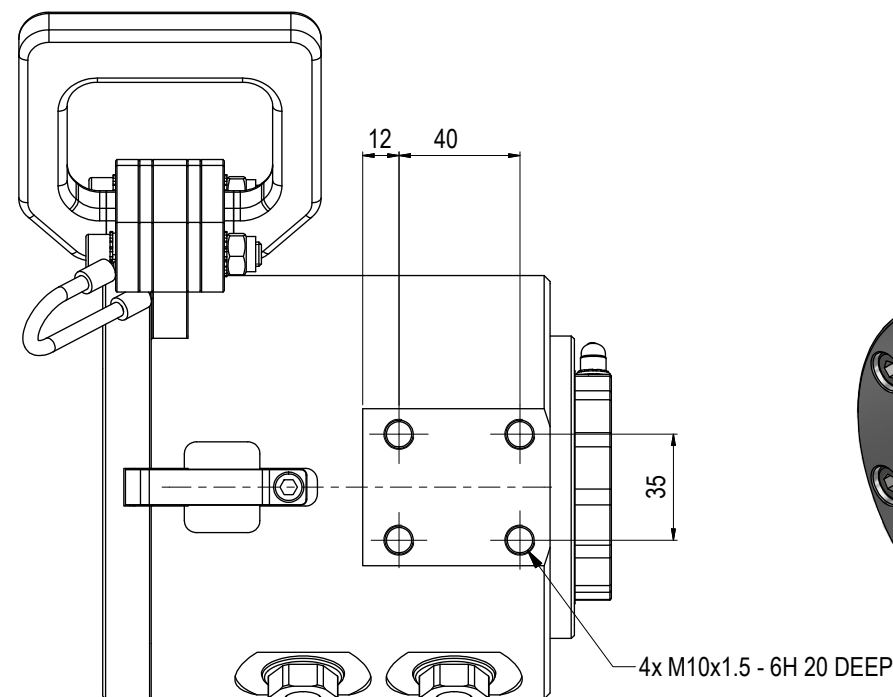
NOTE: 5
OPERATION & MAINTENANCE INFORMATION:
600134-TD-0004



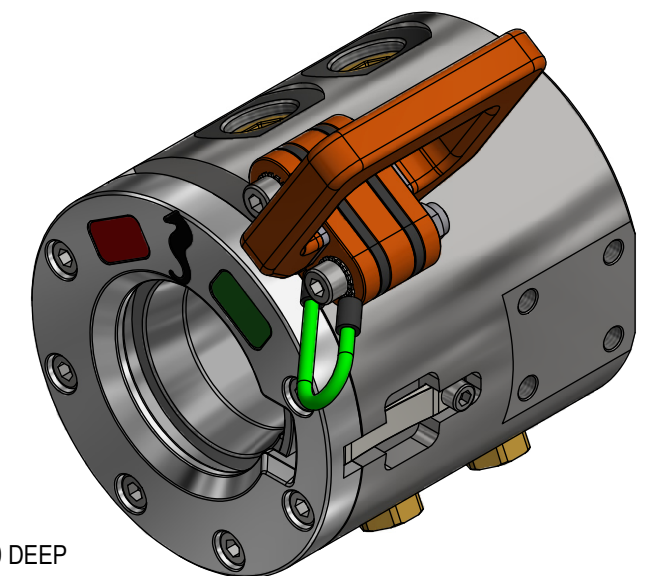
SUBSCRIPT "i" REPRESENT THE PORT NUMBER BETWEEN 1-2



VIEW B



VIEW A



Rev.	Date	Reason for issue	Revision change	Made	Chk'd	Appr.
03	29.5.2024	9-IFU (Issued for Use)		WTJ	HNJ	WTJ
02	13.2.2019	9-IFU (Issued for Use)		WTJ	LGH	WTJ
01	8.2.2019	2-IFT (Issued for Tender)		WTJ	LGH	WTJ

BLUE LOGIC

Dwg Scale:
NTS
Dwg Proj:
Dwg Format:
A3

Drawing title:
Ø60 DP VStab Rec 5k Long-term L-Bore Man BSP 3/4"

Drawing number:
BB3087

Rev:
03